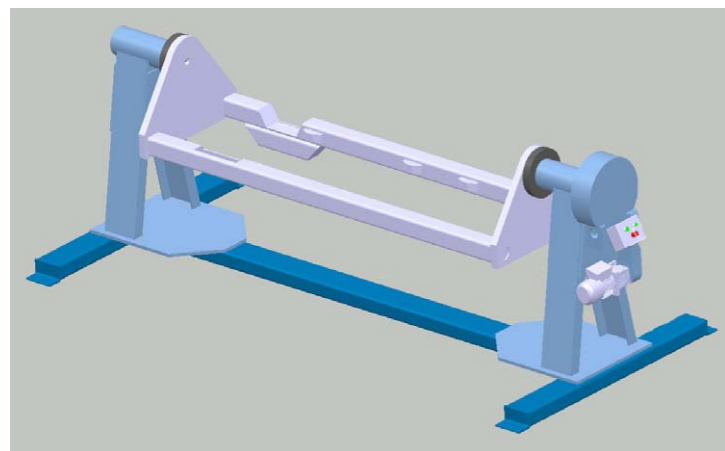
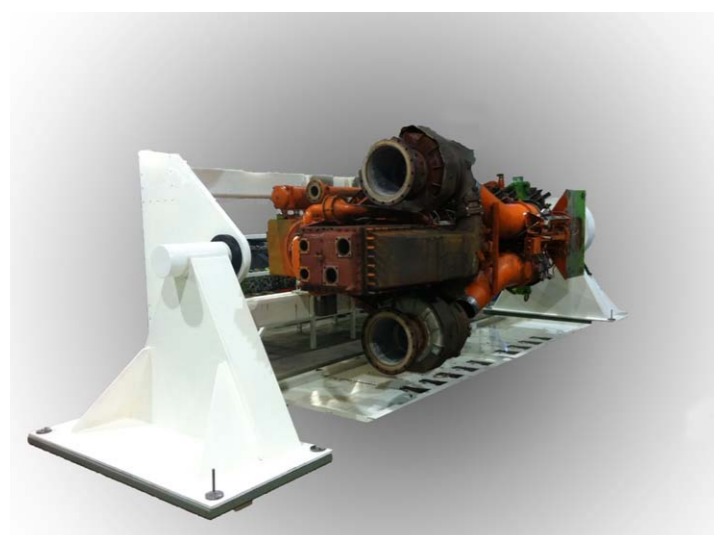


HEMS ENGINE AND TRANSMISSION STAND RANGE



HM-ES 7000

Capacity: 7 tonnes
Dimensions: (H*W*L) 1350, 1850, 4500mm
Weight: 1825 kgs



EN 13-25

Hems largest model with the capacity of 20,000 kg.

Suitable for largest applications i.e.
Cummins QSK78, QSK95 or QSK120.

As our customers say, "Don't just repair it, HEMS it!"



HEMS LTD

HEAVY EQUIPMENT MAINTENANCE SOLUTIONS

Keep your earthmoving machinery, **MOVING!**

HEMS ENGINE AND TRANSMISSION STAND RANGE



Suitable for new build, repair and refurbishment operations.

With load capacities available up to 20,000kg.

Saving up to 50% man hours by eliminating non productive handling procedures.

Complying with all current working practice and safety regulations.

HEAVY EQUIPMENT MAINTENANCE SOLUTIONS (HEMS) LTD.

Wessex House, Eastleigh Business Centre, Upper Market Street, Eastleigh. SO50 9FD
Tel: 02380 987182 Email: sales@hemsltd.com Web: www.hemsltd.com

HEAVY EQUIPMENT MAINTENANCE SOLUTIONS (HEMS) LTD.

Wessex House, Eastleigh Business Centre, Upper Market Street, Eastleigh. SO50 9FD
Tel: 02380 987182 Email: sales@hemsltd.com Web: www.hemsltd.com

REPAIR FASTER + SAFER = EFFICIENCY = MORE PROFIT

REPAIR FASTER + SAFER = EFFICIENCY = MORE PROFIT

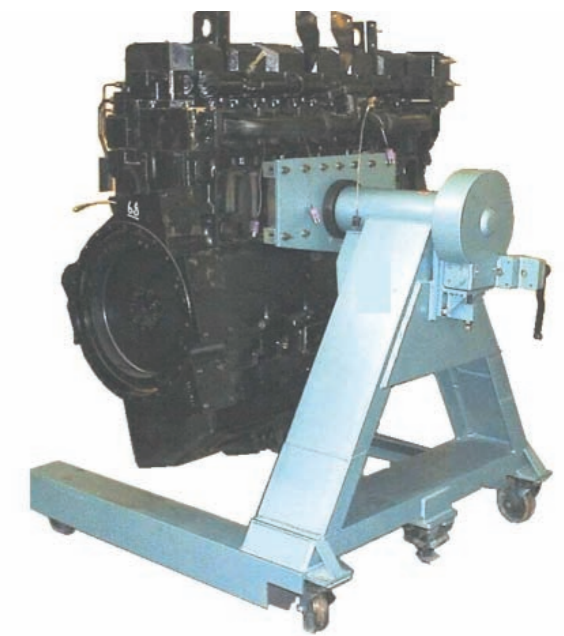
HM-ES 1050

Capacity: 760kg (Floor Mounted) 760kg (Mobile)
Spindle Height: 876mm (Floor Mounted) 889mm (Mobile)
Dimensions(H*W*L) 1050, 460, 870mm (Floor Mounted)
Dimensions(H*W*L) 1050, 710, 1170mm (Mobile)
Weight (nett): 102kg (Floor Mounted) 110kg (Mobile)
Adjustable column also available on request



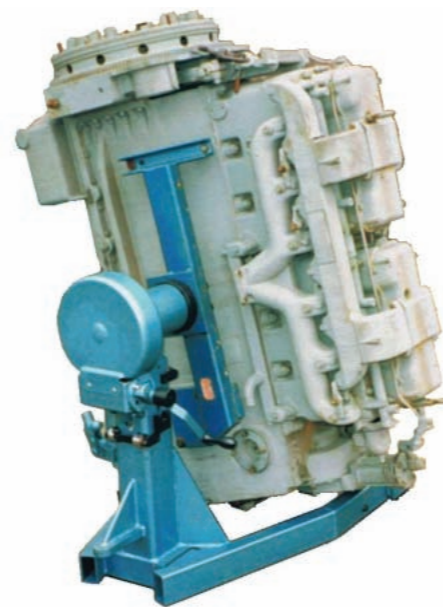
HM-ES 2000

Capacity: 3 tonnes (Mobile)
Spindle Height (Vertical Position): 1000mm (Mobile)
Dimensions(H*W*L) 1150, 1372, 1372mm (Mobile)
Weight (nett): 350kg
Floor mounted and mobile available on request



HM-ES 1076

Capacity: 1520kg (Floor Mounted) 1520kg (Mobile)
Spindle Height: 914mm (Floor Mounted) 940mm (Mobile)
Dimensions(H*W*L) 1076,460,920 mm (Floor Mounted)
Dimensions(H*W*L) 1076, 890, 1220mm (Mobile)
Weight (nett): 190kg (Floor Mounted) 210kg (Mobile)
Adjustable column available on request



HM-ES 6000

Capacity: 5 tonnes
Dimensions: (H*W*L) 1200, 1600, 3500
Weight: 1050 kgs.
Mobile and floor mounted available on request



HEAVY EQUIPMENT MAINTENANCE SOLUTIONS (HEMS) LTD.

Email: sales@hemsltd.com Web: www.hemsltd.com

HEAVY EQUIPMENT MAINTENANCE SOLUTIONS (HEMS) LTD.

Email: sales@hemsltd.com Web: www.hemsltd.com